

Submittal Data: UMAT42HP230V1AC 42,000 BTUH Ceiling Cassette Heat Pump System

Job Name _____ **Location** _____ **Date** _____

Purchaser _____ **Engineer** _____

Submitted To _____ **For** Reference Approval Construction

Unit Designation _____ **Schedule No.** _____

- GENERAL FEATURES**
- Multi-Speed Fan
 - 4-way Discharge Air
 - Internal Condensate Drain Pump
 - Wireless Remote Controllers
 - Power Failure Recovery
 - Sentry Condensate Overflow Protection
 - Decorative Grille (Part# UMAT42GRILLE -Sold Separately)
 - 5 yr. Limited Parts Warranty
 - 7 year Limited Compressor Warranty



System Ratings

Indoor Unit Data

Cooling		
Rated Capacity		39,500 BTU/H
Capacity Range		11,000-41,000 BTU/H
Power Input (Max)		4,650 W
SEER		16.0
EER		9.0
Heating at 47° F		
Rated Capacity		44,000 BTU/H
Capacity Range		12,000-51,000 BTU/H
Power Input (Max)		4,800 W
HSPF		9.0
COP		2.9
Heating at 17° F		
Rated Capacity		24,400 BTU/H

Fan Motor	Output Power	1/3HP
	FLA	0.9 A
Airflow		
	Cooling Wet (Lo/Hi)	730/1095 CFM
	Heating Dry (Lo/Hi)	730/1095 CFM
Sound Pressure Level		
	Cooling (Min/Max)	43/51 db(A)
	Heating (Min/Max)	43/51 db(A)
Dehumidification		
		1.75 pt/hr
Condensate Drain Lift (Height)		
		39-in
Power Supply		
	Normal Operational Voltage	208/230 V, 1 Phase, 60 Hz
	Voltage Range	187 - 253 V
	Interconnecting Cable Wire Size	18-2 AWG
	MCA	1.5A
	MOCP/Breaker Size	15A

Operating Range		
Cooling	(Max)	115°F (46 C)
	(Min)	0°F (-18 C)
Heating	(Max)	75°F (24 C)
	(Min)	0°F (-18 C)

Outdoor Unit Data

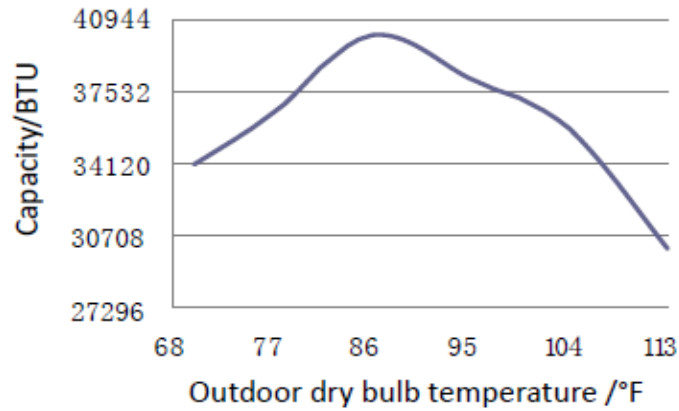
Refrigerant Piping Data		
Gas Pipe Size (OD)		5/8-in
Liquid Pipe Size (OD)		3/8-in
Connection Method		Flared
MAX Refrigerant Pipe Length		164-ft
MIN Refrigerant Pipe Length		10-ft
MAX Refrigerant Pipe Elevation		98-ft

Compressor		DC Inverter Driven Rotary
Refrigerant Type		R410A
Fan Motor	Output Power	2 x 1/6HP
	FLA	2 x 2.0 A
Sound Pressure		
	Cooling/Heating	61/61 db(A)
Power Supply		
	Normal Operational Voltage	208/230 V, 1 Phase, 60 Hz
	Voltage Range	187 - 253 V
	MCA	31.0A
	MOCP/Breaker Size	50A

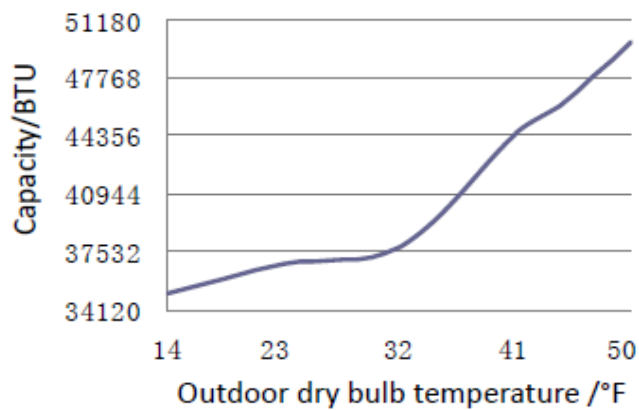


EXTENDED RATINGS

COOLING PERFORMANCE

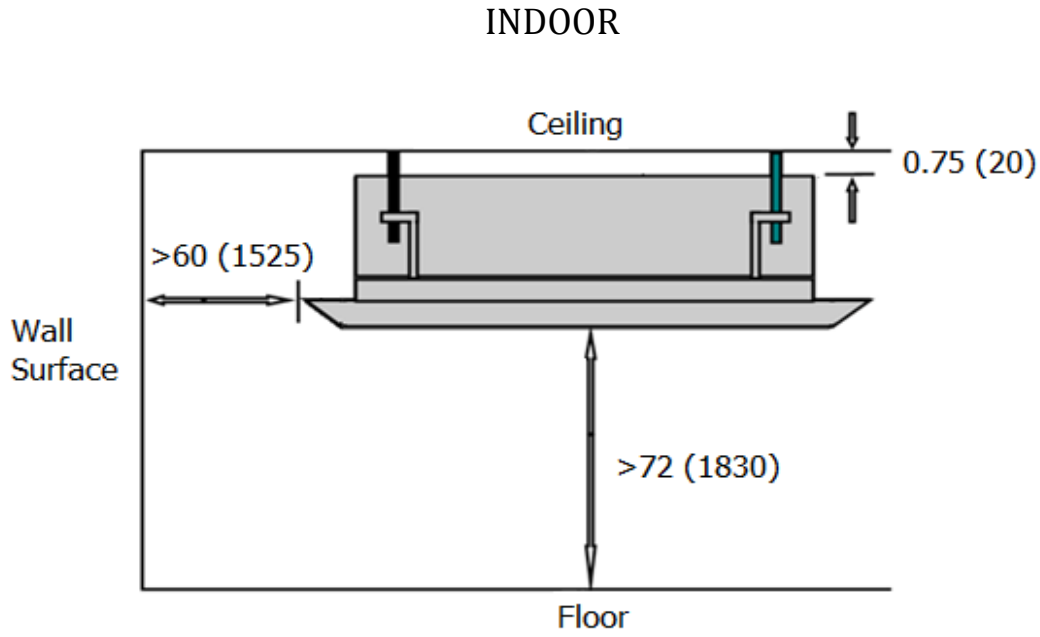


HEATING PERFORMANCE

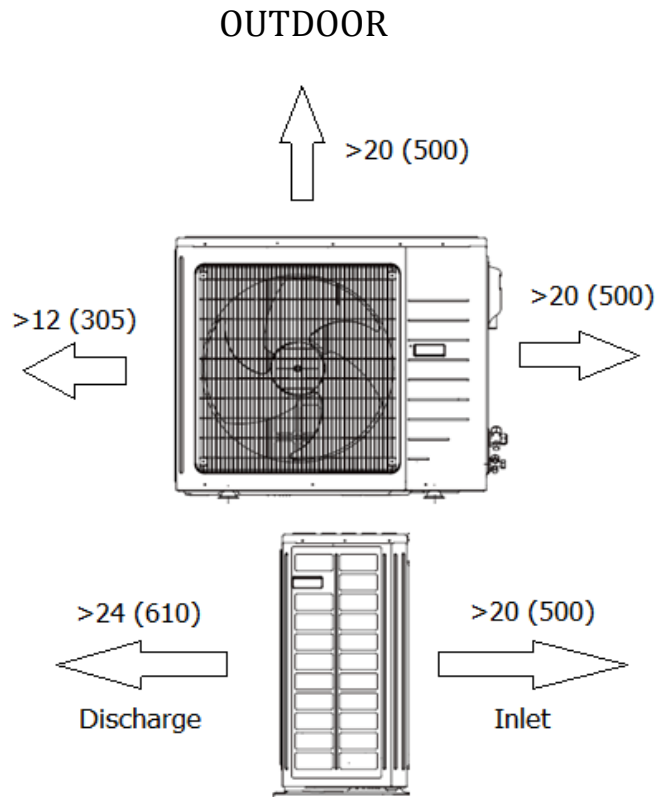


MINIMUM SPACING REQUIREMENTS

Units: inch (mm)

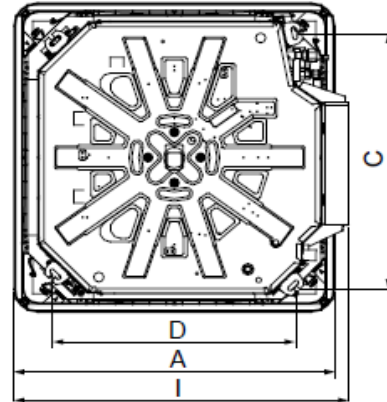
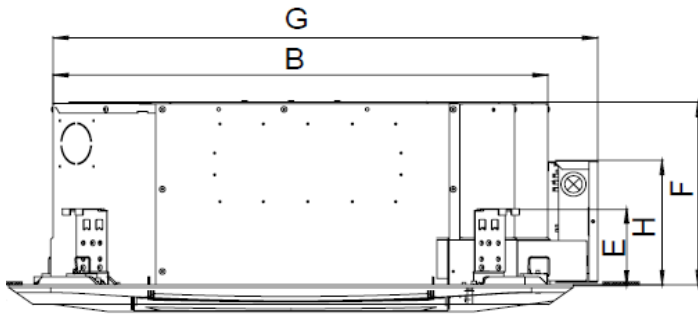


Units: inch (mm)



INDOOR UNIT DIMENSIONS & WEIGHTS

Units: inch (mm)



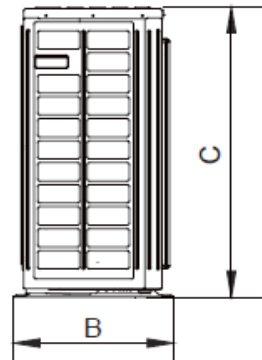
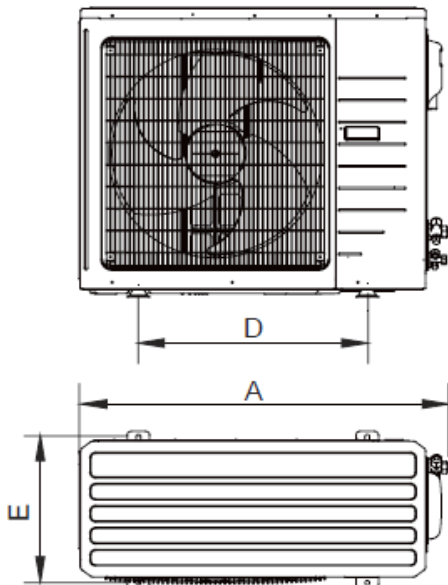
A	B	C	D	E	F	G	H	I
37.375 (950)	32.75 (833)	30.75 (780)	26.75 (680)	6.25 (160)	9.5 (240)	36.125 (917)	8.5 (215)	39.125 (993)

Liquid Line Valve	3/8-in OD Flared
Gas Line Valve	5/8-in OD Flared
Drain Connector	1-in OD

Net Weight	71 lbs
Shipping Weight	97 lbs

OUTDOOR UNIT DIMENSIONS & WEIGHTS

Units: inch (mm)



A	37.75 (958)
B	16.25 (412)
C	53.125 (1349)
D	22.5 (572)
E	14.75 (376)

Net Weight	210 lbs
Shipping Weight	232 lbs

Liquid Line Valve	3/8-in OD Flared
Gas Line Valve	5/8-in OD Flared

Notes:

1. Recommended Communication Cable Type 18-2 AWG Stranded Copper THHN 600V Wire
2. Power wiring cable size must comply with applicable national and local codes.
3. Test conditions are based on AHRI 210/240.



Specifications are subject to change without notice. Manufacturer reserves the right to discontinue or modify specifications or designs without notice or without incurring obligations. All rights reserved.